



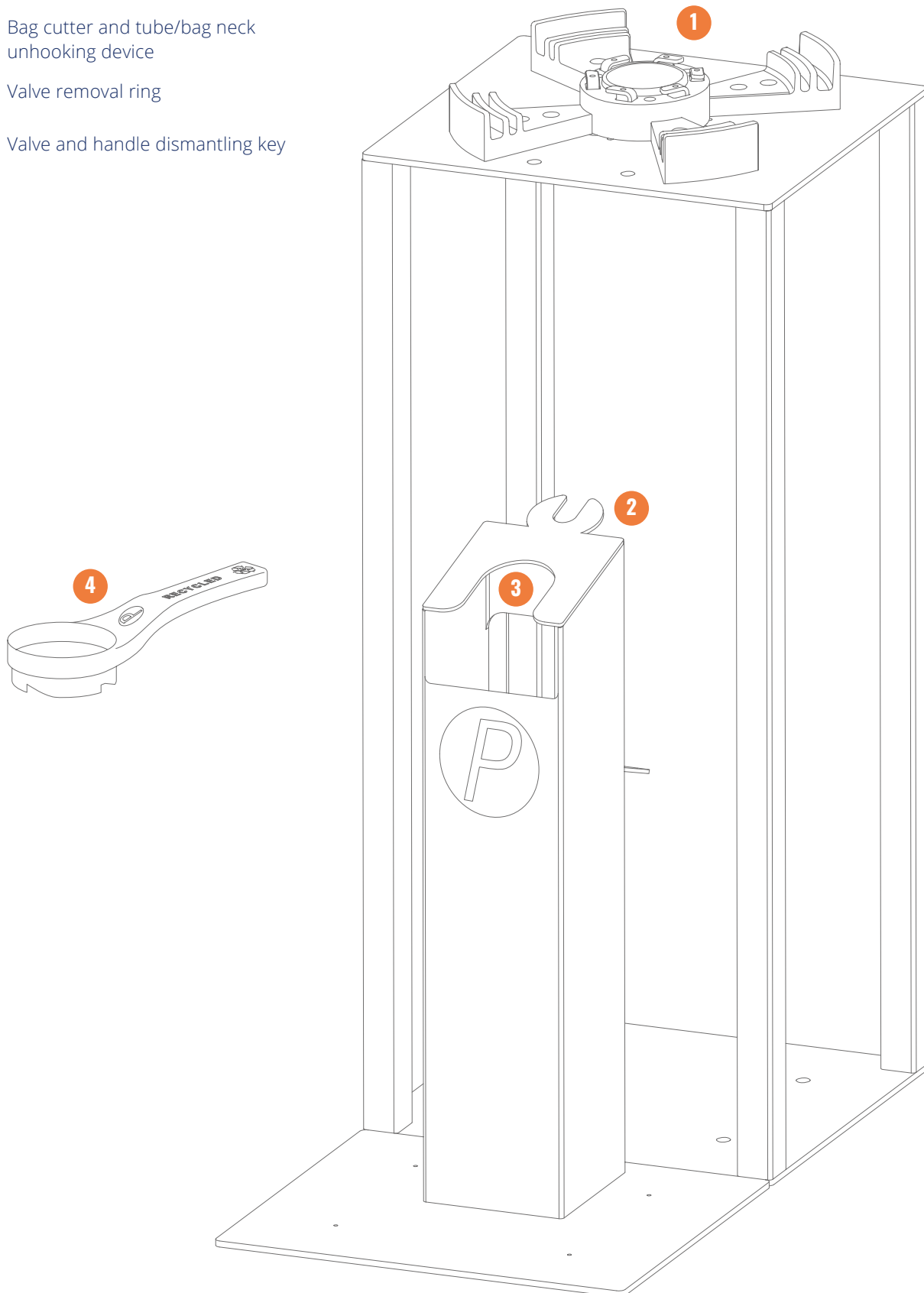
## Dismantling instructions

# Dismantling instructions

## WITH EQUIPMENT



- 1 Base locking system
- 2 Bag cutter and tube/bag neck unhooking device
- 3 Valve removal ring
- 4 Valve and handle dismantling key





# Dismantling instructions

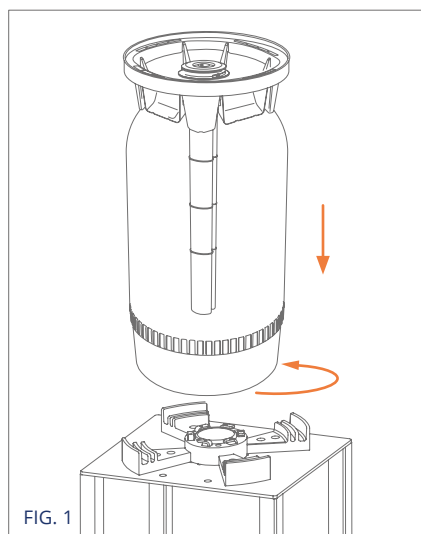
## WITH EQUIPMENT

The keg must be depressurized immediately after use and in all cases before being dismantled.

The PolyKeg PRO keg can be easily dismantled as shown below, in order to make the materials recycling easier (please refer to the "Materials sheet").

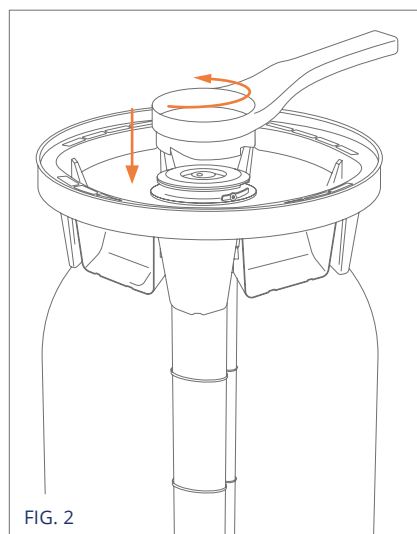
### DISMANTLING PROCEDURE

#### 1. Keg locking



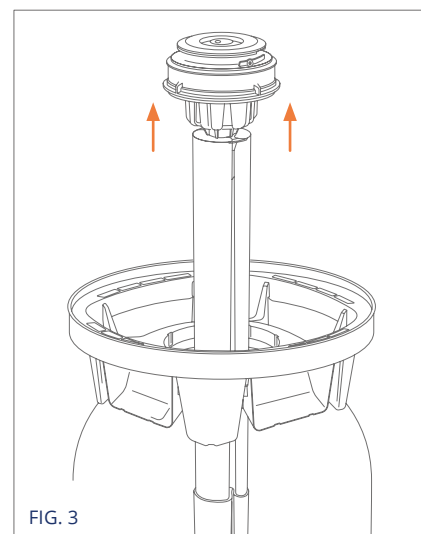
Hook the depressurized keg to the device surface.

#### 2. Valve removal



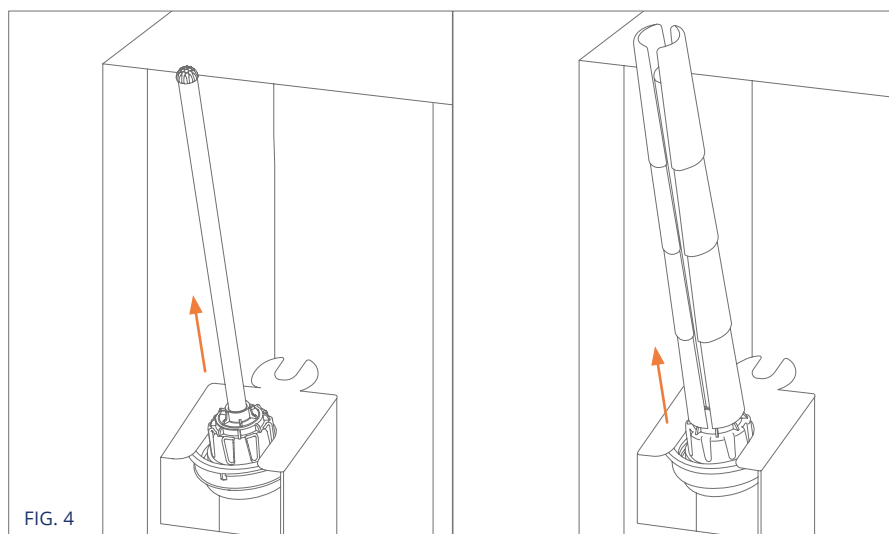
Unscrew the valve using the dedicated dismantling key.

#### 3. Valve extraction with dip tube or bag kit



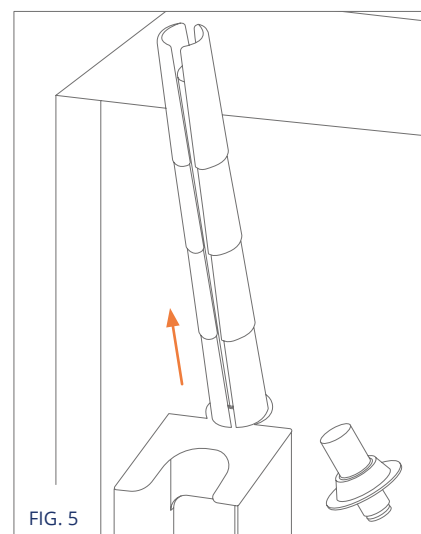
Pull out of the bottle the valve and the dip tube, or the valve and the bag kit.

#### 4. Valve from dip tube or from bag kit separation



Hook the valve to the ring and then detach it from the dip tube or from the bag kit.

#### 5. Dip tube from bag separation



Hook the bag kit to the ring and separate the dip tube and bag from the bag neck.

# Dismantling instructions

## WITH EQUIPMENT



### 6. Handle removal

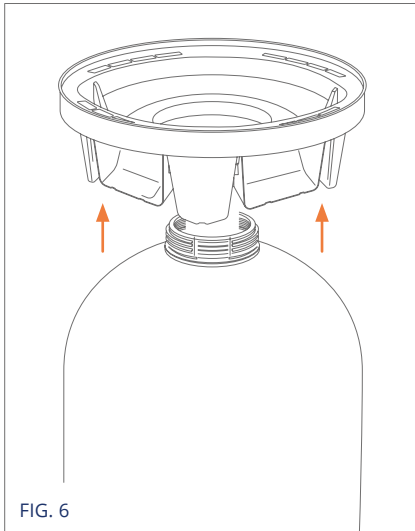


FIG. 6

Remove the keg handle.

### 7. Base removal

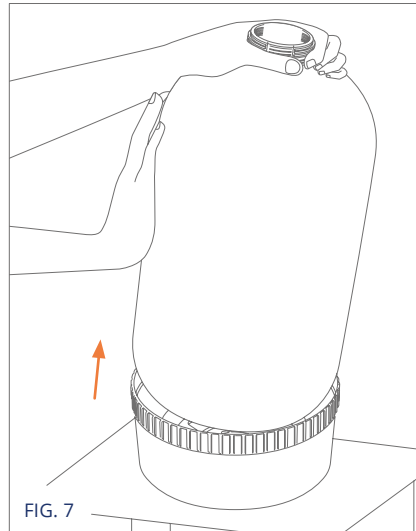


FIG. 7

Push the bottle until the base comes

### 8. Base unlocking

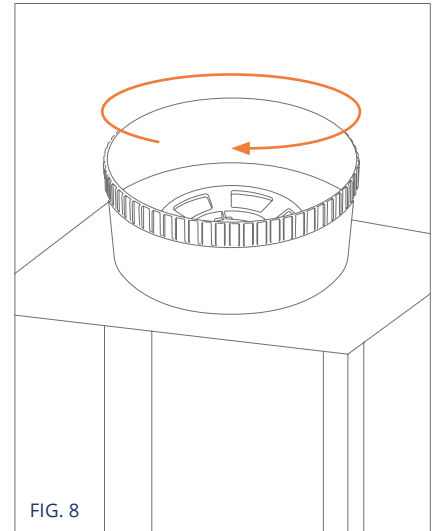
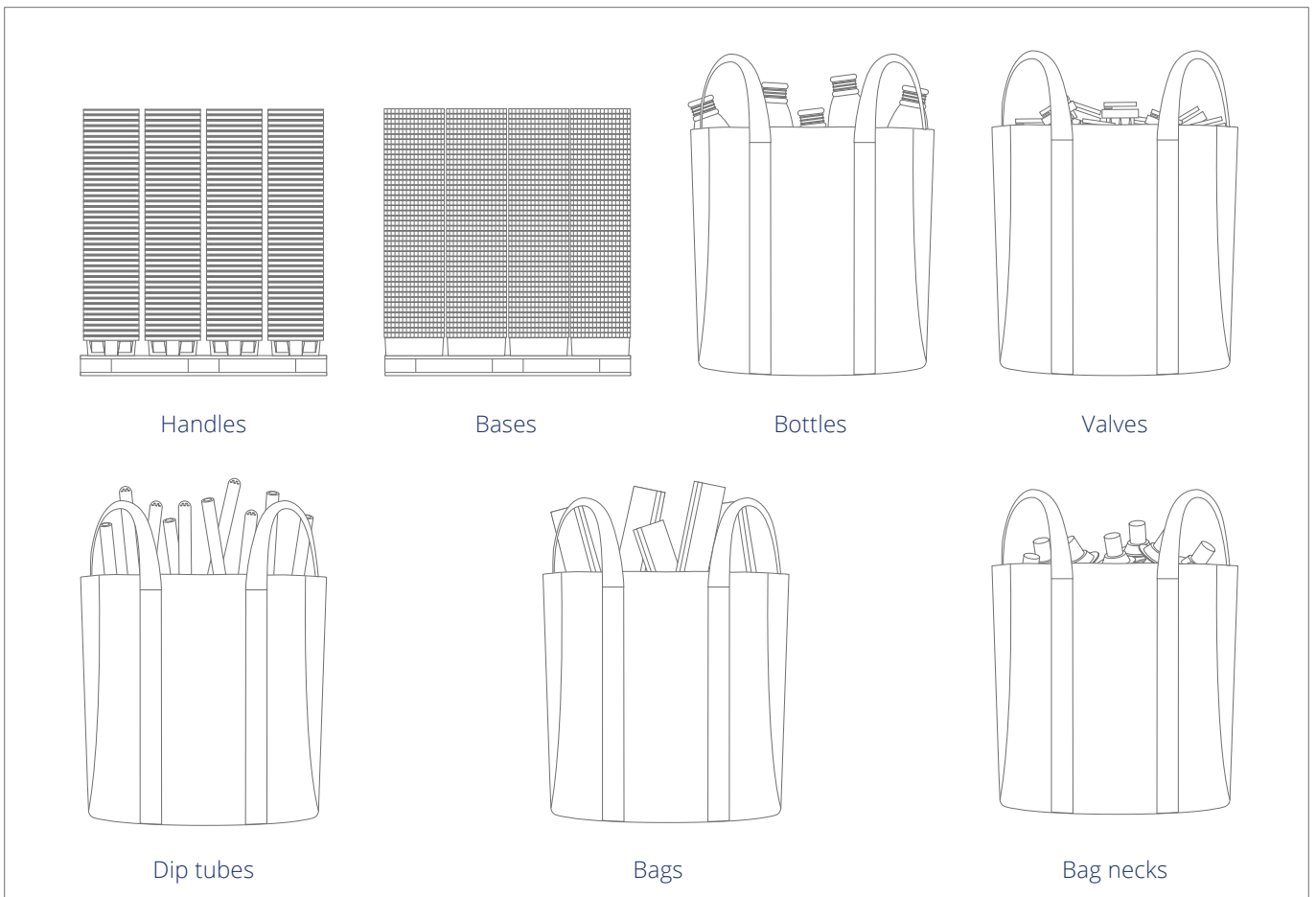


FIG. 8

Unhook the base of the keg from the device surface.

## 10. Sorted keg components



Store the keg components in appropriate boxes at the end of each step.

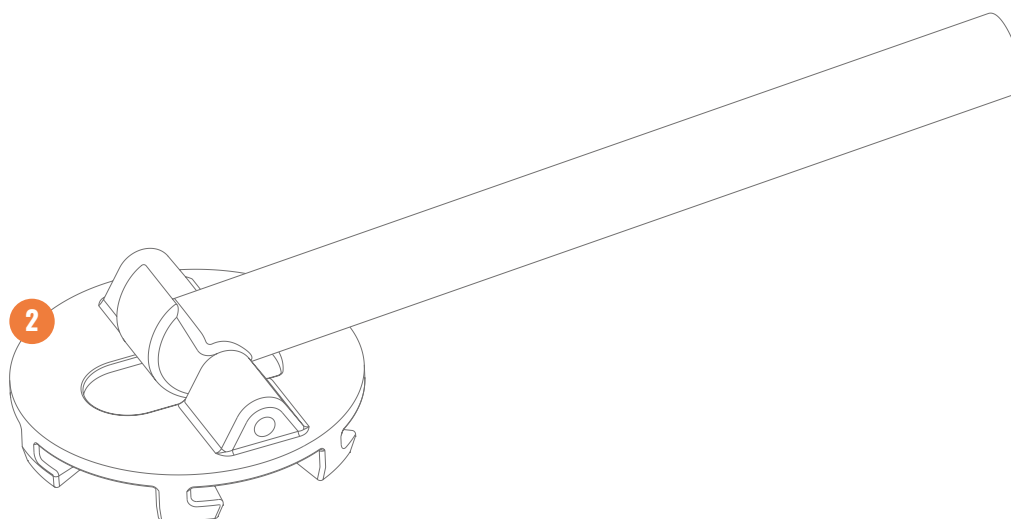
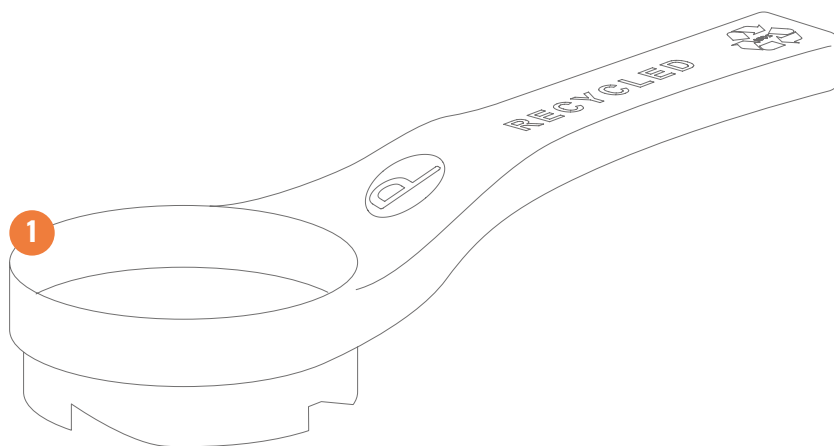
# Dismantling instructions

## WITH KEY



1 Valve and handle dismantling key

2 Base dismantling key





# Dismantling instructions

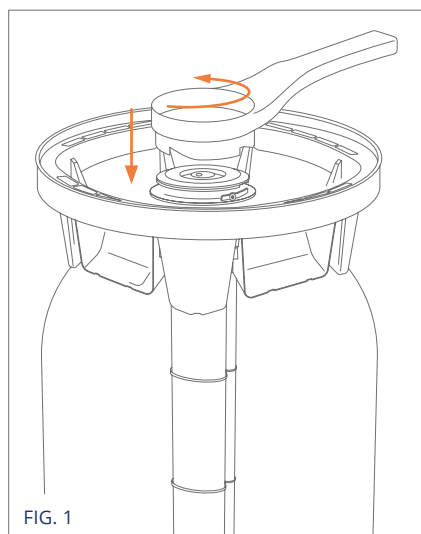
## WITH KEY

The keg must be depressurized immediately after use and in all cases before being dismantled.

The PolyKeg PRO keg can be easily dismantled as shown below, in order to make the materials recycling easier (please refer to the "Materials sheet").

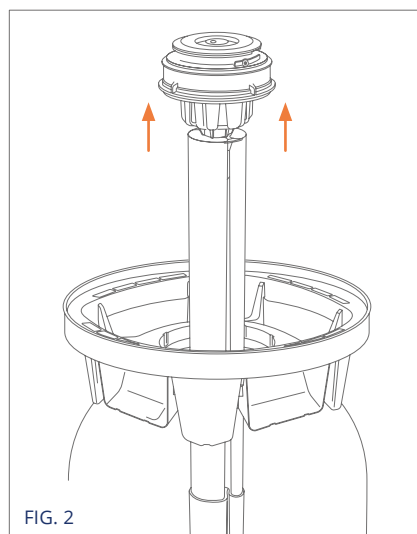
### DISMANTLING PROCEDURE

#### 1. Valve removal



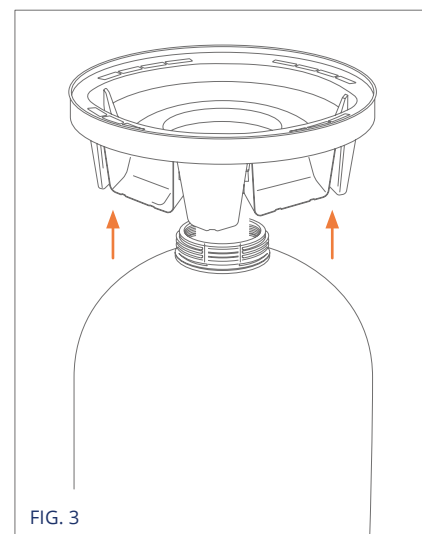
Unscrew the valve using the dedicated dismantling key.

#### 2. Valve extraction with dip tube or bag kit



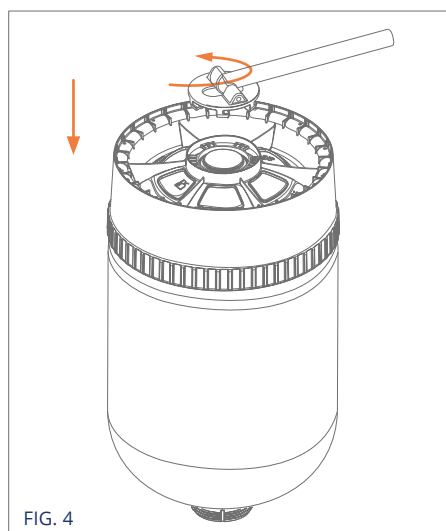
Pull out of the bottle the valve and the dip tube, or the valve and the bag kit.

#### 3. Handle removal

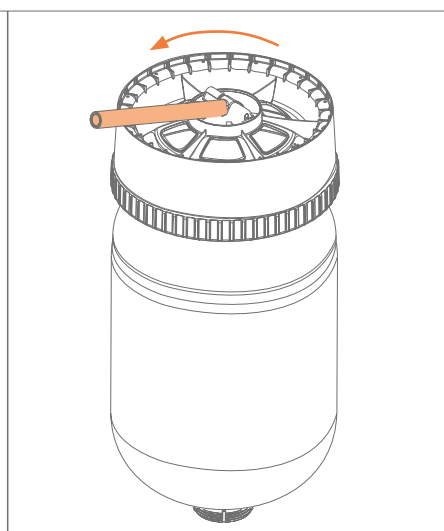


Remove the keg handle.

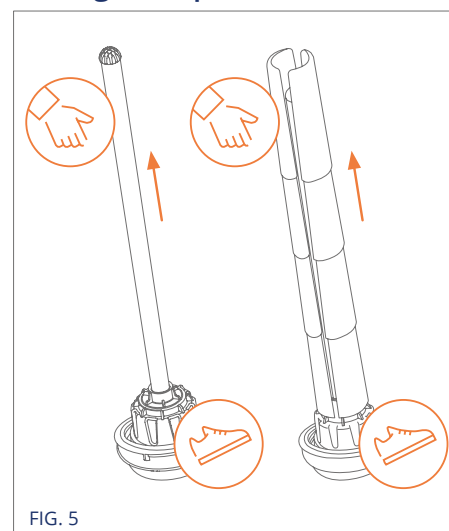
#### 4. Base - keg detachment



Lock the key on the base of the keg and turn the lever 180° anticlockwise.



#### 5. Valve from dip tube or from bag kit separation



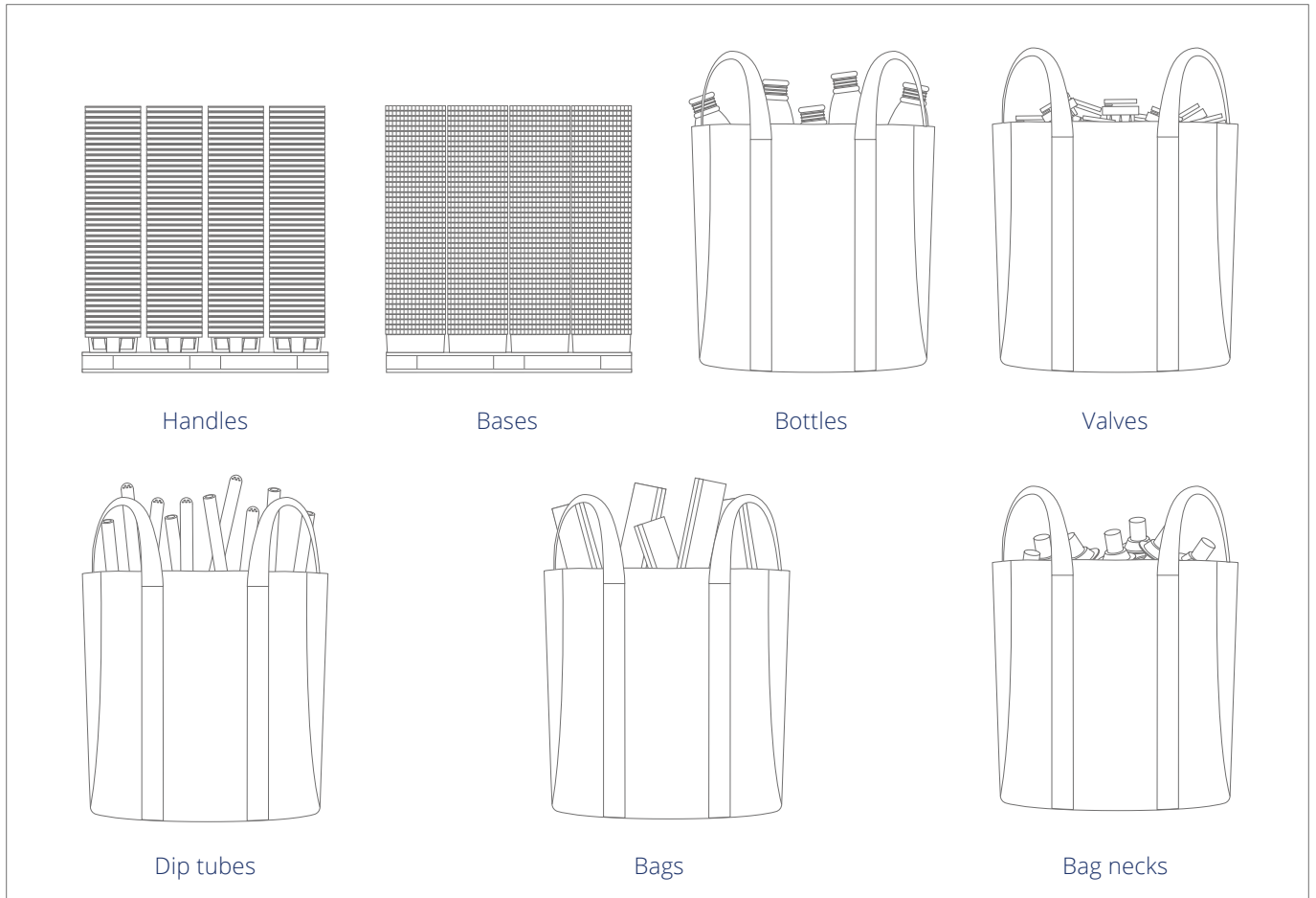
Remove the valve from the tube or bag kit by holding the valve and pulling the tube or bag kit towards you.

# Dismantling instructions

WITH KEY



## 6. Sorted keg components



Store the keg components in appropriate boxes at the end of each step.